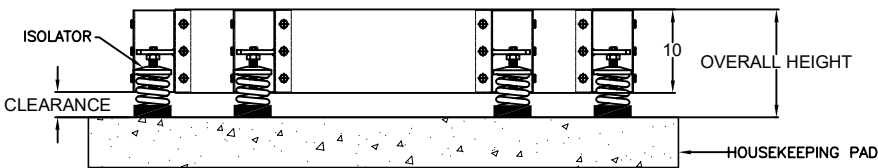
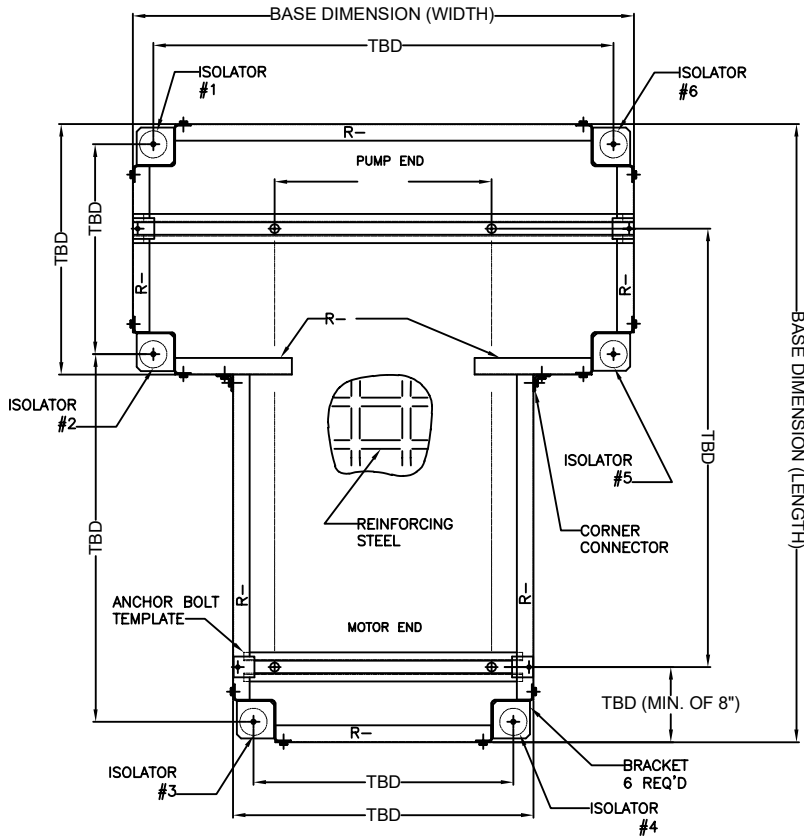


REV.	DESCRIPTION	DATE	BY



ISOLATORS				
LOCATION	ISOLATOR TYPE	COLOR CODE	RATED LOAD (lbs.)	RATED DEFL. (in.)
1				
2				
3				
4				
5				
6				

EQUIPMENT / MODEL:

CUST REF DWG:

MOTOR

FRAME SIZE:	HP	RPM	WT.
-------------	----	-----	-----

PUMP

SUCTION	DISCHARGE	WT.
	CONCRETE	WT.
	TOTAL ISOLATED	WT.

TOTAL ESTIMATED SHIPPING WEIGHT:

TAG No. _____

QTY. REQ'D. _____

NOTES:

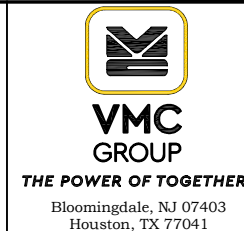
1. RATED DEFLECTIONS ARE WITHIN 25% OF NOMINAL. HIGHER DEFLECTIONS ARE ALLOWED IF THEY MEET SPECIFICATIONS.

OTHER MATERIALS, COMPOUNDS, OR FINISHES WITH EQUAL OR SUPERIOR PROPERTIES MAY BE SUBSTITUTED AS THEY BECOME AVAILABLE.

CERTIFIED FOR:

JOB NAME: _____
 CUSTOMER: _____
 CUSTOMER P.O.: _____
 SALES ORDER: _____

**MODEL MPF 10 INCH NON SEISMIC
 MODULAR POURING FORM INERTIA BASE
 "T" SHAPE 2 INCH DEFLECTION**



SCALE: NONE
 SHEET: 1 OF 1
 DRAWING NO.:



REVISION